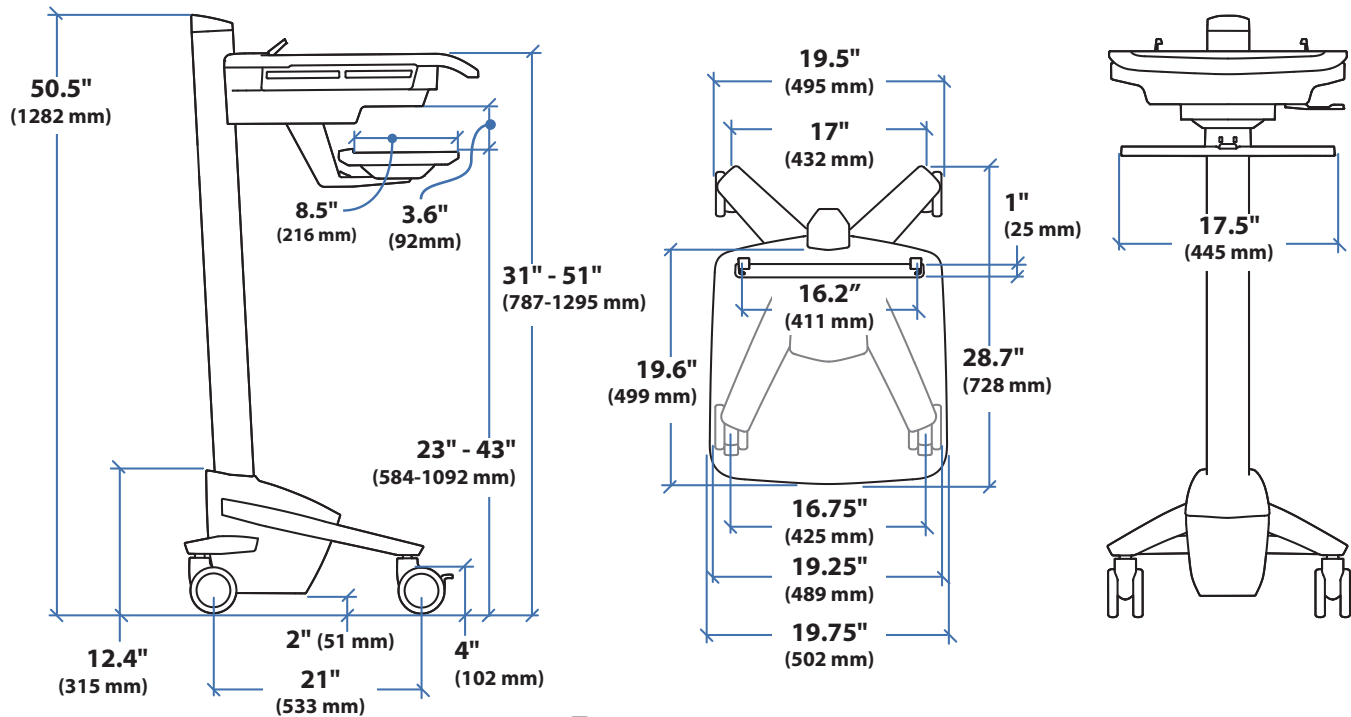


Ergotron® StyleView Cart

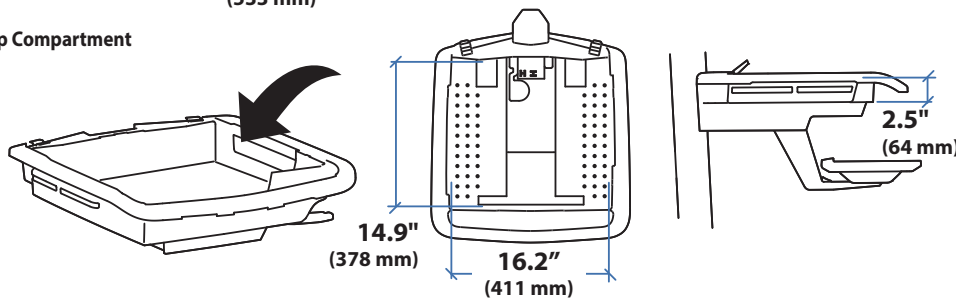
Dimensional Illustrations

StyleView® EMR Laptop Cart, SV40

Dimensions

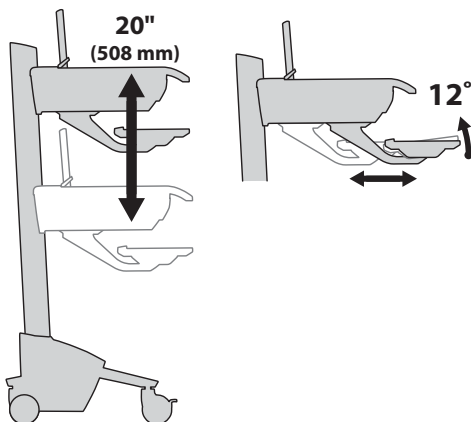


Laptop Compartment

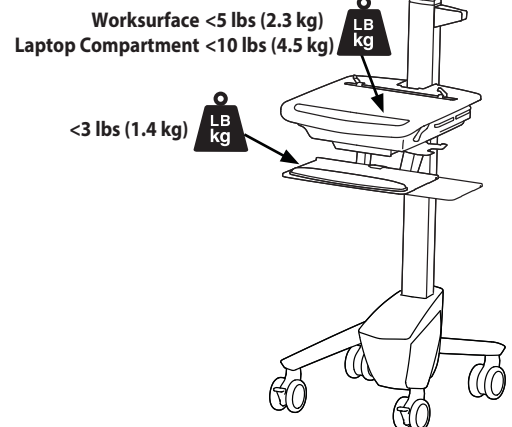


When figuring dimensions, include mounted accessories, protruding cables and port replicators or docking stations.

Range of Motion



Weight Capacity



© 2014 Ergotron, Inc. rev. 01/23/2014 DIM-SV4X-EMR Content is subject to change without notification

Americas Sales and Corporate Headquarters

St. Paul, MN USA
(800) 888-8458
+1-651-681-7600
www.ergotron.com
sales@ergotron.com

EMEA Sales

Amersfoort, The Netherlands
+31 33 45 45 600
www.ergotron.com
info.eu@ergotron.com

APAC Sales

Tokyo, Japan
www.ergotron.com
apaccustomerservice@ergotron.com

Worldwide OEM Sales

www.ergotron.com
info.oem@ergotron.com

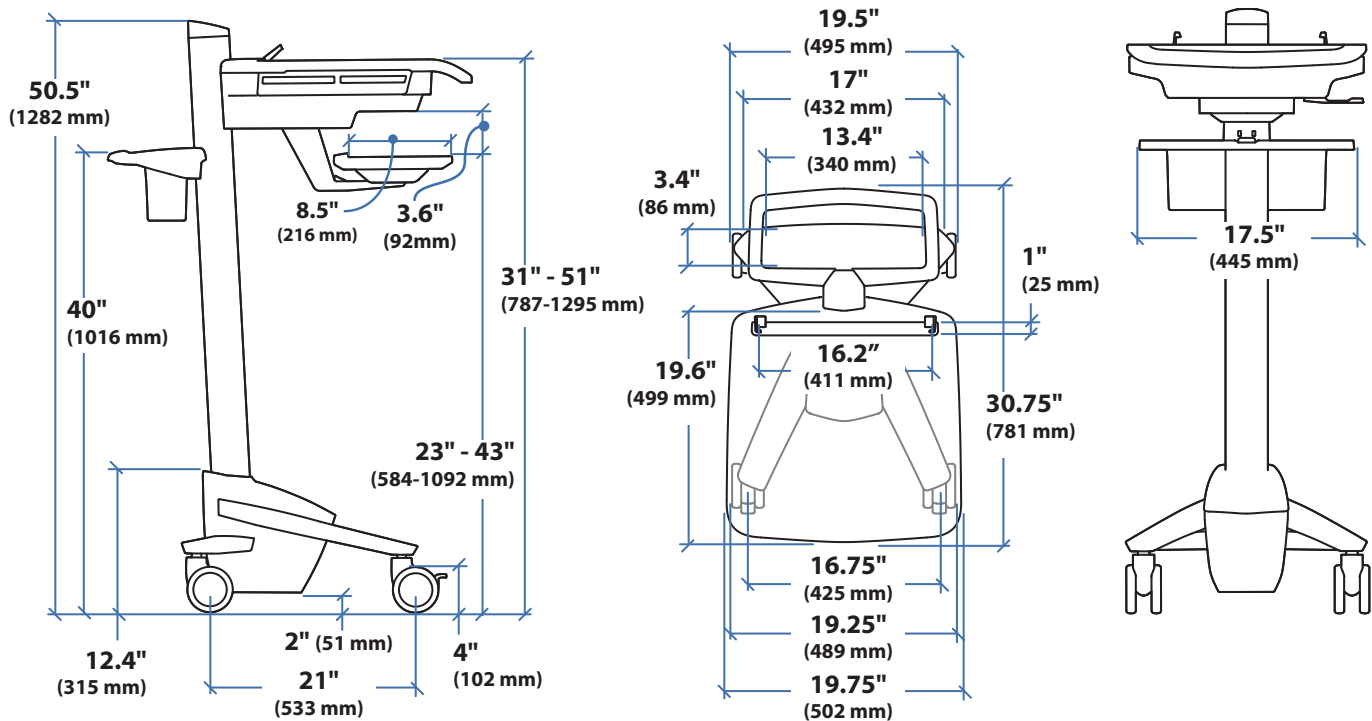


Ergotron® StyleView Cart

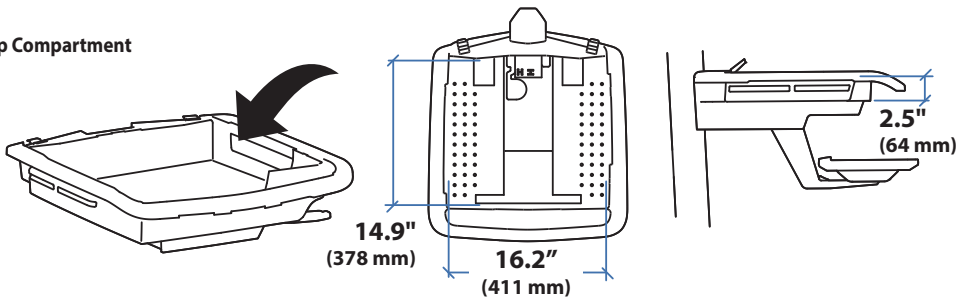
Dimensional Illustrations

StyleView® EMR Laptop Cart

Dimensions

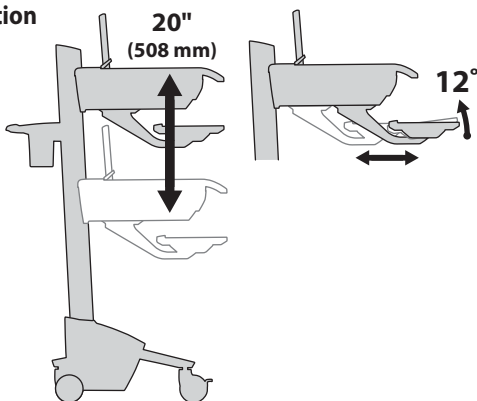


Laptop Compartment



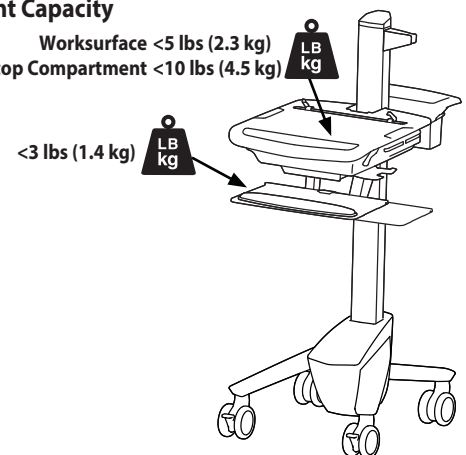
When figuring dimensions, include mounted accessories, protruding cables and port replicators or docking stations.

Range of Motion



Weight Capacity

Worksurface <5 lbs (2.3 kg)
Laptop Compartment <10 lbs (4.5 kg)



© 2014 Ergotron, Inc. rev. 01/23/2014 DIM-SV4X-EMR Content is subject to change without notification

Americas Sales and Corporate Headquarters

St. Paul, MN USA
(800) 888-8458
+1-651-681-7600
www.ergotron.com
sales@ergotron.com

EMEA Sales

Amersfoort, The Netherlands
+31 33 45 45 600
www.ergotron.com
info.eu@ergotron.com

APAC Sales

Tokyo, Japan
www.ergotron.com
apaccustomerservice@ergotron.com

Worldwide OEM Sales

www.ergotron.com
info.oem@ergotron.com

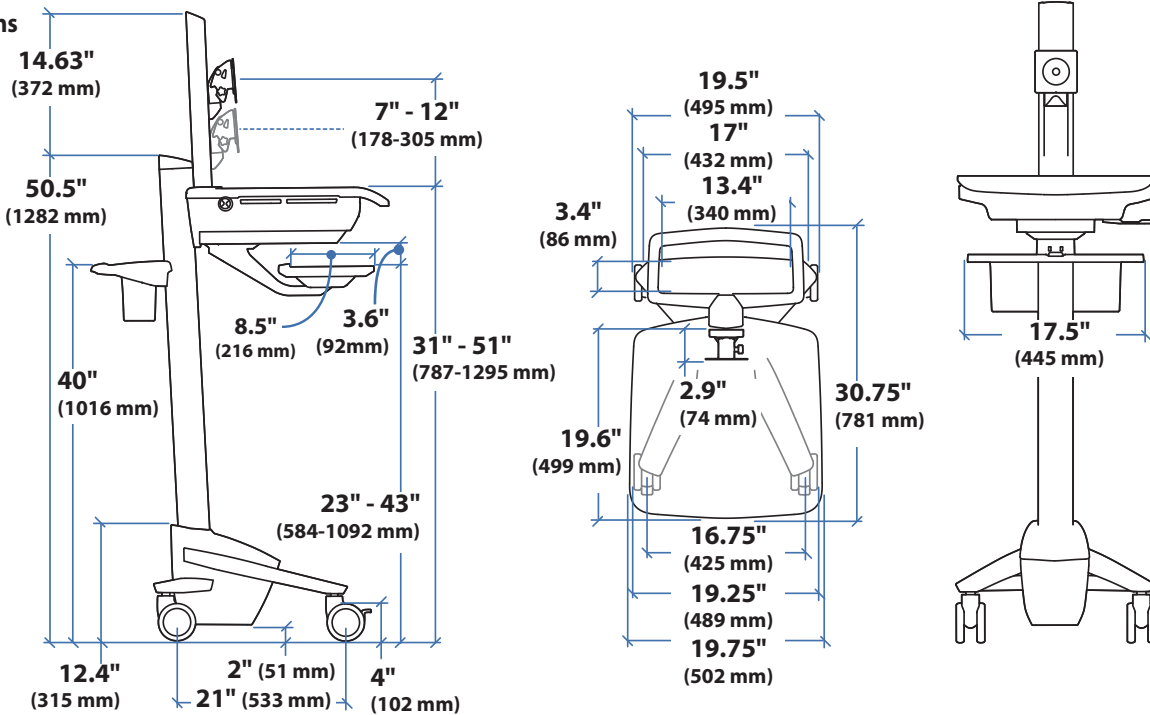


Ergotron® StyleView Cart

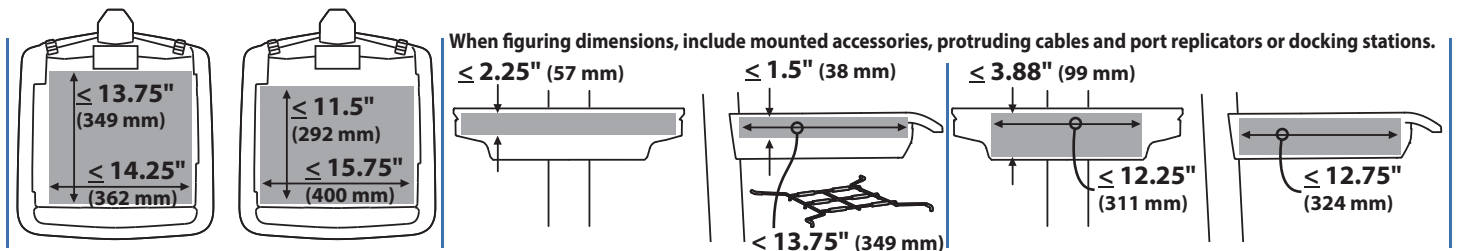
Dimensional Illustrations

StyleView® EMR Cart with LCD Pivot

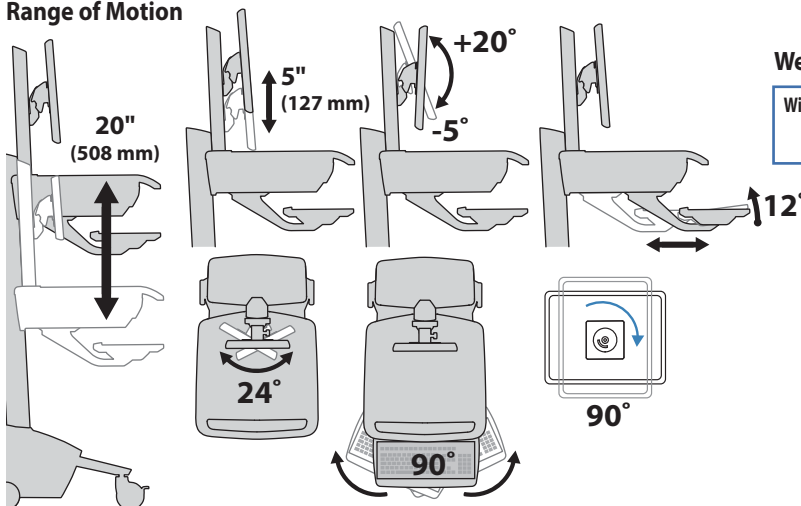
Dimensions



CPU Compartment



Range of Motion



Weight Capacity

With Independent LCD Lift: <14 lbs (6.4 kg) | Without Independent LCD Lift: 20 lbs (9 kg)

<5 lbs (2.3 kg) Worksurface
<13 lbs (5.9 kg) CPU Compartment*

<3 lbs (1.4 kg)

*Combined LCD and CPU Compartment weight:
<27 lbs (12.2 kg).

© 2014 Ergotron, Inc. rev. 01/23/2014 DIM-SV4X-EMR Content is subject to change without notification

Americas Sales and Corporate Headquarters

St. Paul, MN USA
(800) 888-8458
+1-651-681-7600
www.ergotron.com
sales@ergotron.com

EMEA Sales

Amersfoort, The Netherlands
+31 33 45 45 600
www.ergotron.com
info.eu@ergotron.com

APAC Sales

Tokyo, Japan
www.ergotron.com
apaccustomerservice@ergotron.com

Worldwide OEM Sales

www.ergotron.com
info.oem@ergotron.com

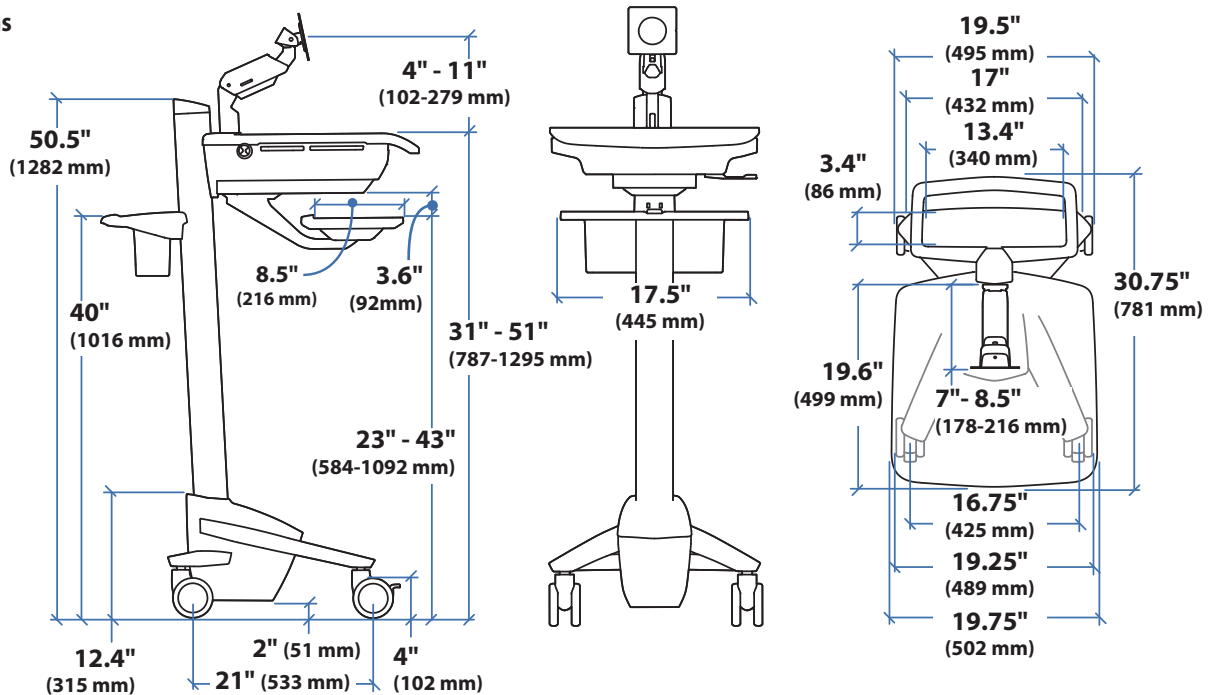


Ergotron® StyleView Cart

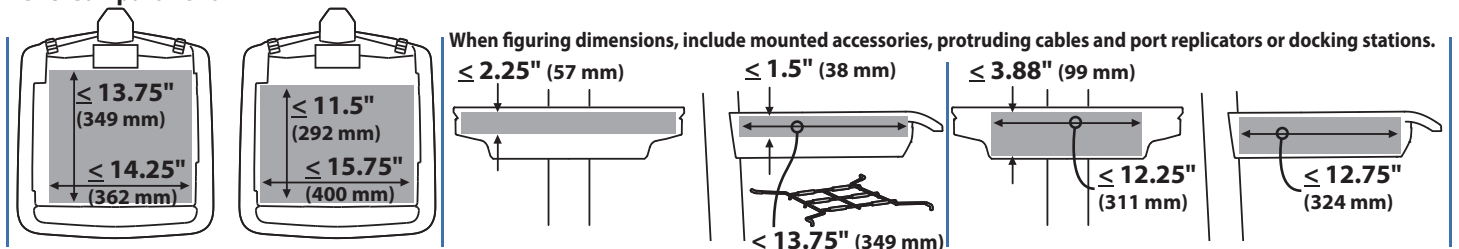
Dimensional Illustrations

StyleView® EMR Cart with LCD Arm

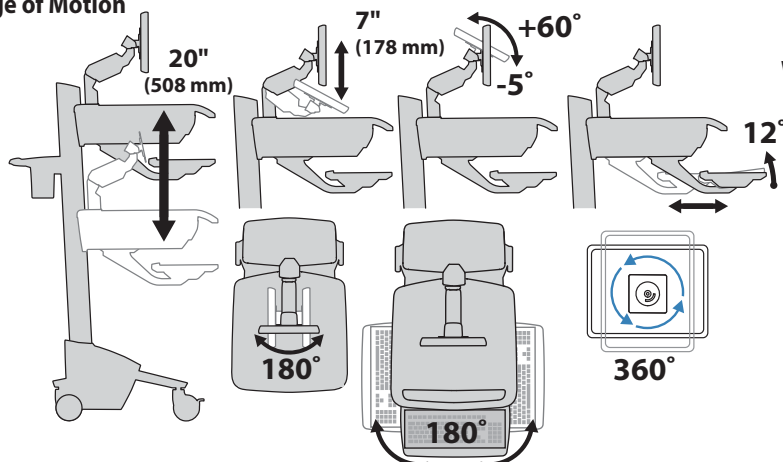
Dimensions



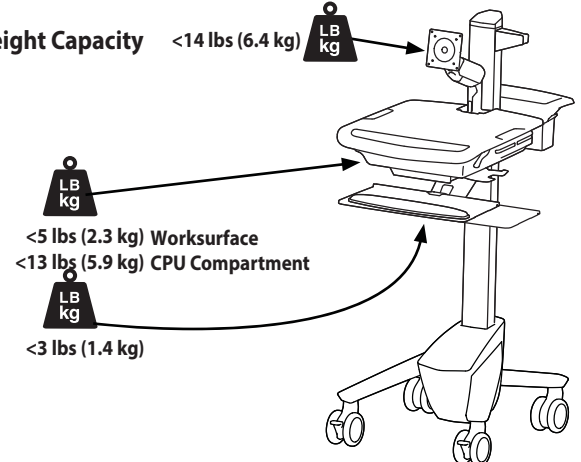
CPU Compartment



Range of Motion



Weight Capacity



© 2014 Ergotron, Inc. rev. 01/23/2014 DIM-SV4X-EMR Content is subject to change without notification

Americas Sales and Corporate Headquarters

St. Paul, MN USA
(800) 888-8458
+1-651-681-7600
www.ergotron.com
sales@ergotron.com

EMEA Sales

Amersfoort, The Netherlands
+31 33 45 45 600
www.ergotron.com
info.eu@ergotron.com

APAC Sales

Tokyo, Japan
www.ergotron.com
apaccustomerservice@ergotron.com

Worldwide OEM Sales

www.ergotron.com
info.oem@ergotron.com

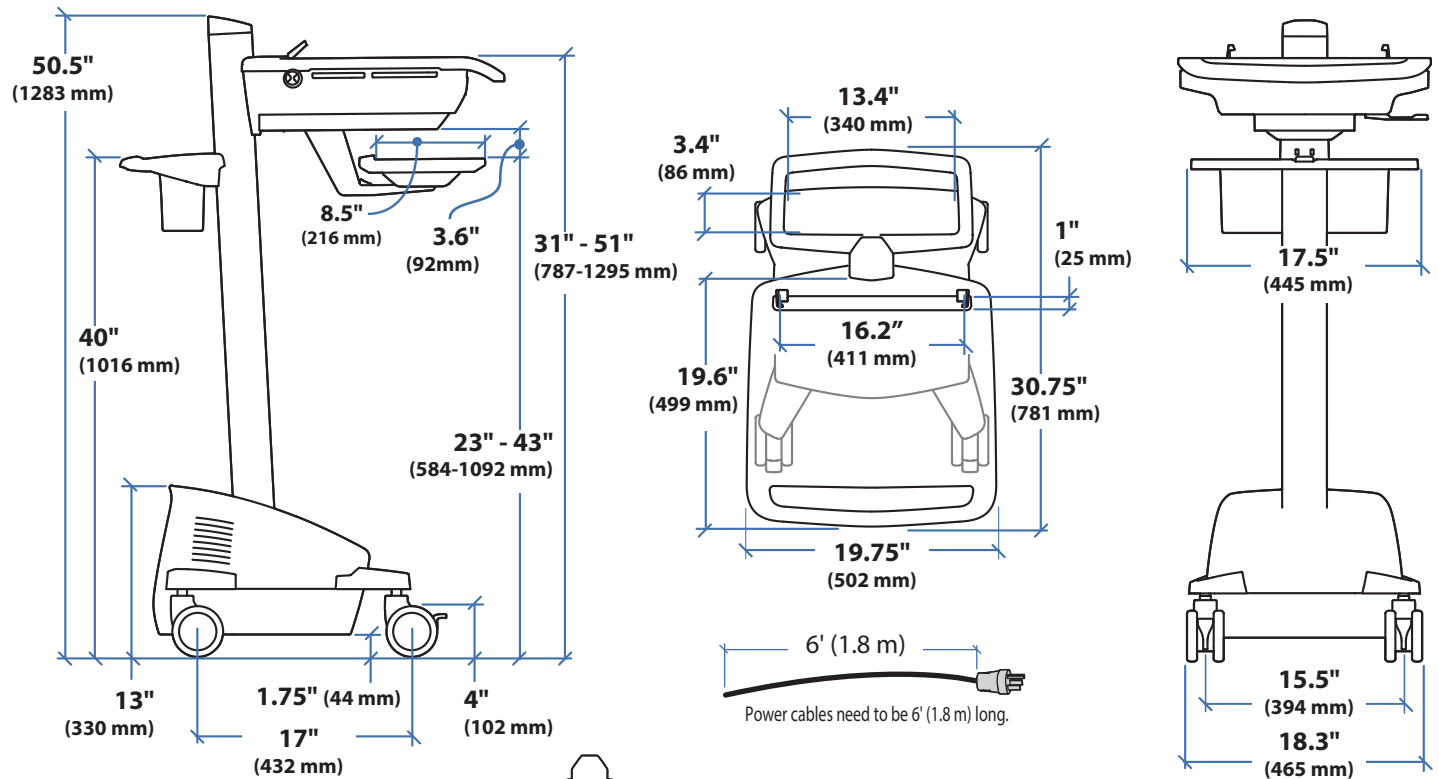


Ergotron® StyleView Cart

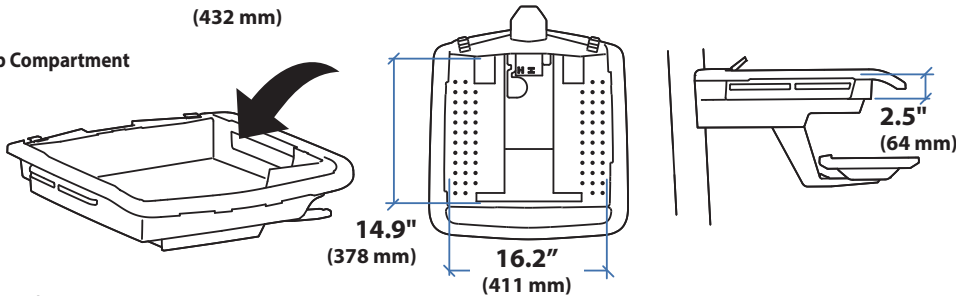
Dimensional Illustrations

StyleView® EMR Laptop Cart, Powered

Dimensions

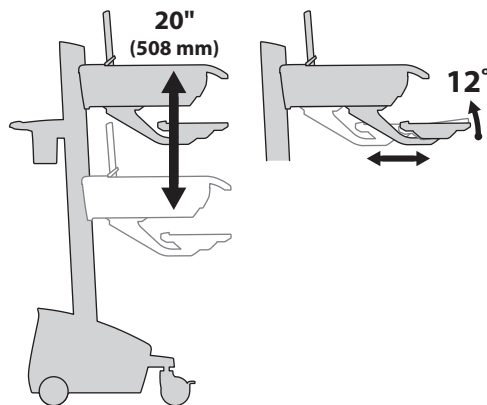


Laptop Compartment

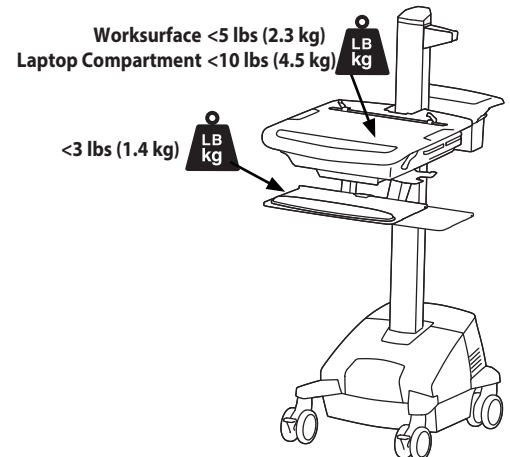


When figuring dimensions, include mounted accessories, protruding cables and port replicators or docking stations.

Range of Motion



Weight Capacity



© 2014 Ergotron, Inc. rev. 01/23/2014 DIM-SV4X-EMR Content is subject to change without notification

Americas Sales and Corporate Headquarters

St. Paul, MN USA
(800) 888-8458
+1-651-681-7600
www.ergotron.com
sales@ergotron.com

EMEA Sales

Amersfoort, The Netherlands
+31 33 45 45 600
www.ergotron.com
info.eu@ergotron.com

APAC Sales

Tokyo, Japan
www.ergotron.com
apaccustomerservice@ergotron.com

Worldwide OEM Sales

www.ergotron.com
info.oem@ergotron.com

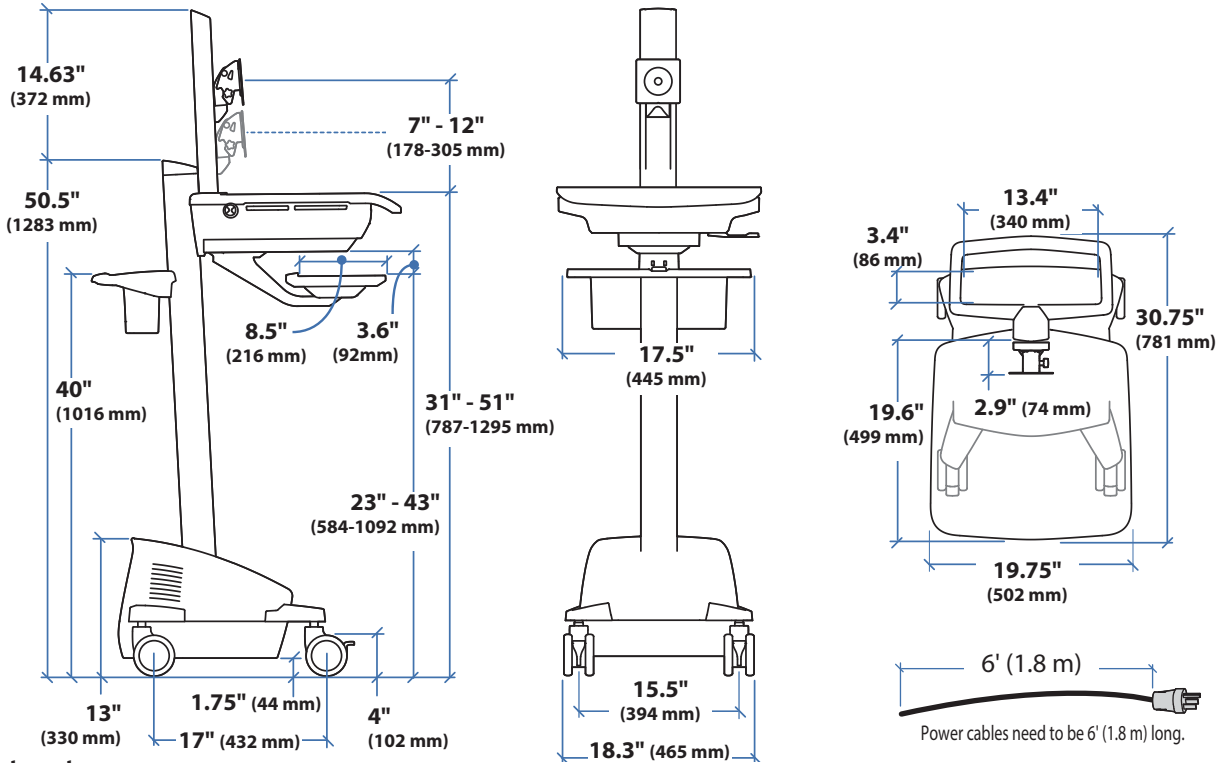


Ergotron® StyleView Cart

Dimensional Illustrations

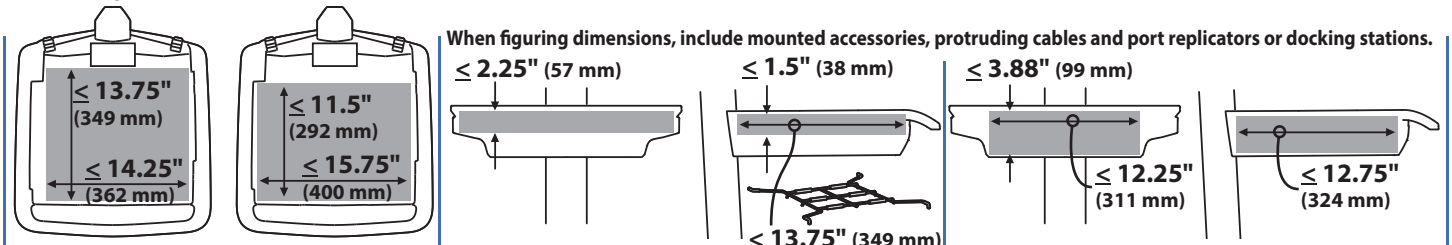
StyleView® EMR Cart with LCD Pivot, Powered

Dimensions

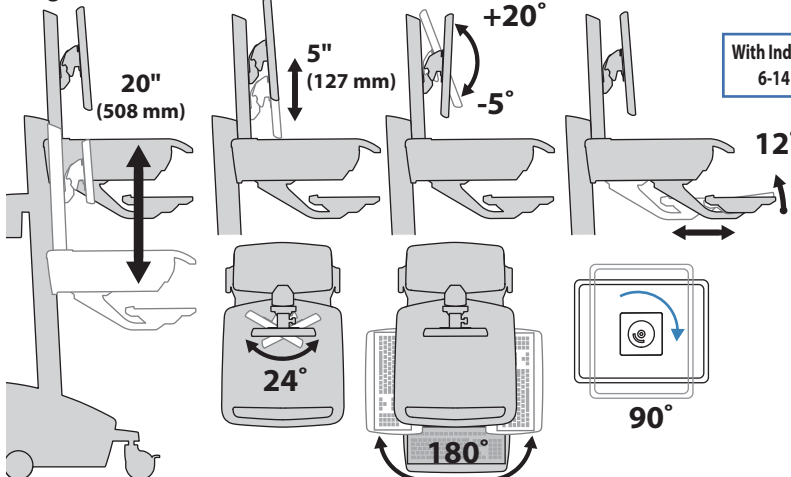


6' (1.8 m)
Power cables need to be 6' (1.8 m) long.

CPU Compartment

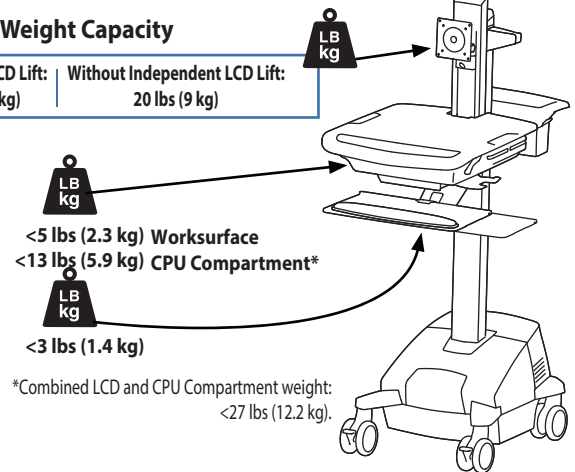


Range of Motion



Weight Capacity

With Independent LCD Lift: 6-14 lbs (2.7-6.4 kg)	Without Independent LCD Lift: 20 lbs (9 kg)
-----------------------------------------------------	------------------------------------------------



© 2014 Ergotron, Inc. rev. 01/23/2014 DIM-SV4X-EMR Content is subject to change without notification

Americas Sales and Corporate Headquarters

St. Paul, MN USA
(800) 888-8458
+1-651-681-7600
www.ergotron.com
sales@ergotron.com

EMEA Sales

Amersfoort, The Netherlands
+31 33 45 45 600
www.ergotron.com
info.eu@ergotron.com

APAC Sales

Tokyo, Japan
www.ergotron.com
apaccustomerservice@ergotron.com

Worldwide OEM Sales

www.ergotron.com
info.oem@ergotron.com

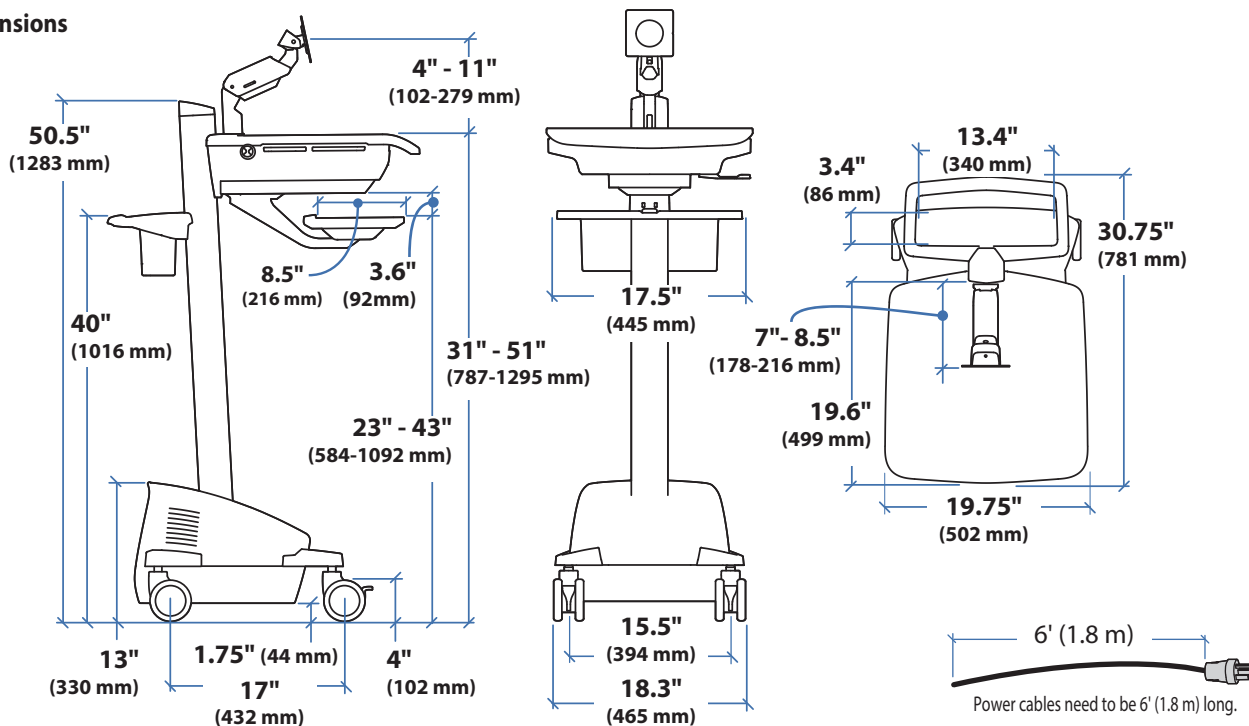


Ergotron® StyleView Cart

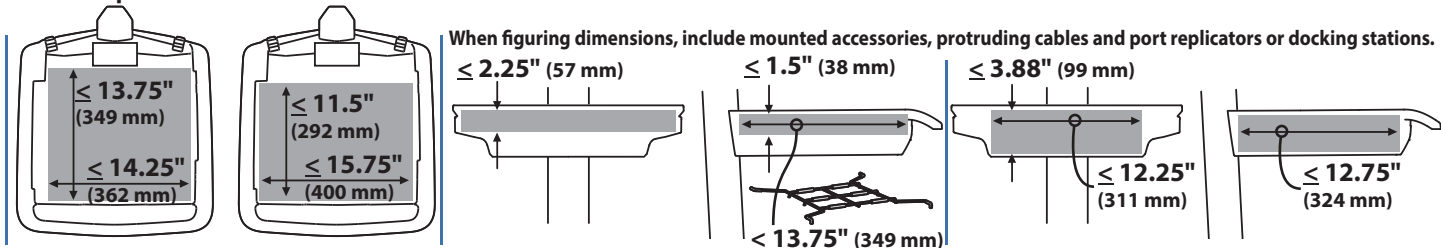
Dimensional Illustrations

StyleView® EMR Cart with LCD Arm, Powered

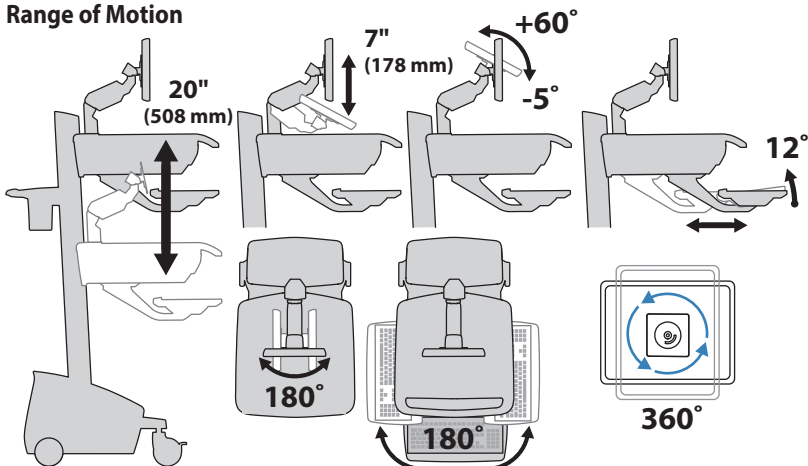
Dimensions



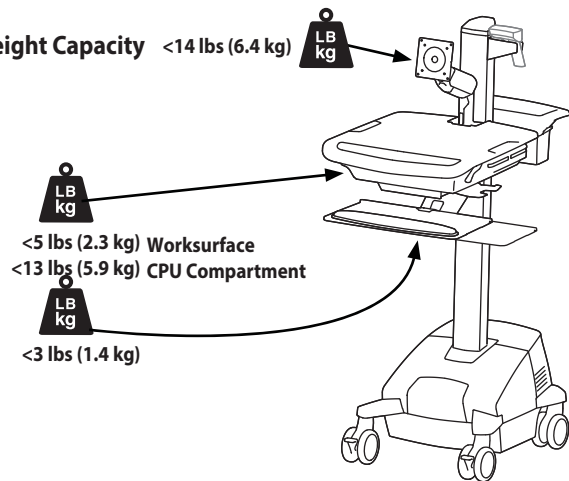
CPU Compartment



Range of Motion



Weight Capacity



© 2014 Ergotron, Inc. rev. 01/23/2014 DIM-SV4X-EMR Content is subject to change without notification

Americas Sales and Corporate Headquarters

St. Paul, MN USA
 (800) 888-8458
 +1-651-681-7600
 www.ergotron.com
 sales@ergotron.com

EMEA Sales

Amersfoort, The Netherlands
 +31 33 45 45 600
 www.ergotron.com
 info.eu@ergotron.com

APAC Sales

Tokyo, Japan
 www.ergotron.com
 apaccustomerservice@ergotron.com

Worldwide OEM Sales

www.ergotron.com
 info.oem@ergotron.com

